



# DELTA-XERO

THE FUTURE IS SYSTEM RELIABILITY

## DX1003-T

The DX modular housing arrangement offers a flexible and space conscious solution to integrate our innovative DXO Cartridge in to both new and existing systems. The Delta-Xero system can be configured up to 12 cartridges in parallel as a single unit in a compact and easily maintainable layout.

The unit can be supplied with a number of standard options to provide an effective fluid conditioning and monitoring package to suit the majority of systems. The flexibility of the unit allows tailoring to customer's specific requirements.



### DX1003-T

Drive Input	Electric or Pneumatic
Connection Ports	3/8" BSP In & Out
Flow Indicator	Visual
Suggested System Volume	Up to 13,500l @ 32cSt
Particulate Removal	From 0.1 $\mu$
Weight	30 kg
Dimensions	H 1158 x D 300 x L 550
Material	SS316
DXO Cartridge QTY	3

Flow Rate varies depending on viscosity, pressure and temperature

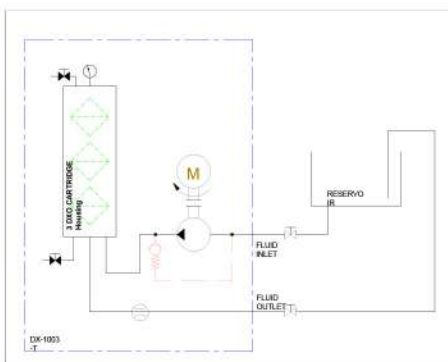
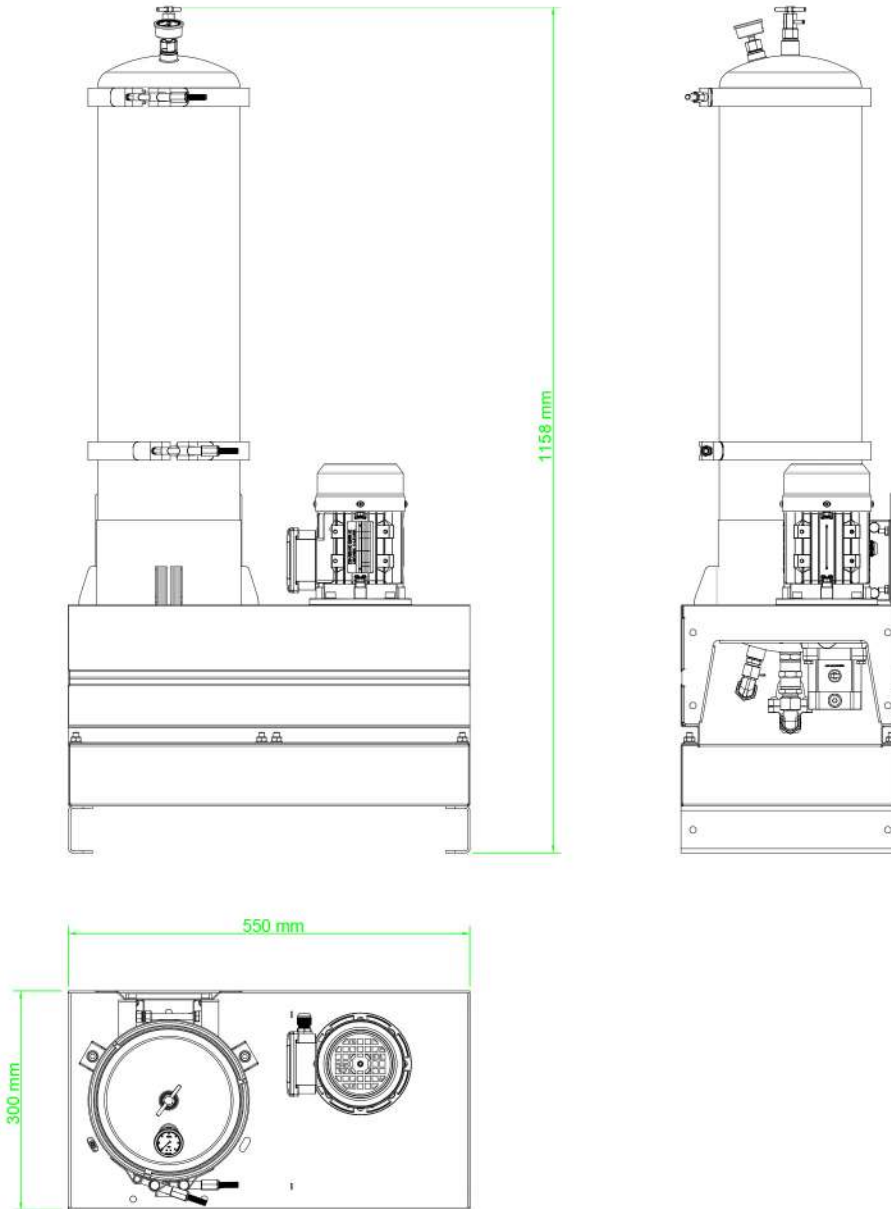
Approx flow at 2.7 bar:	32 cSt	46 cSt	68 cSt	100 cSt	220 cSt	320 cSt	460 cSt
L/min	3.75	3.0	2.4	1.8	1.2	0.6	0.3
Oil Volume	13500ltrs	10500ltrs	9000ltrs	7200ltrs	5400ltrs	2400ltrs	1200ltrs



ایران - تهران - خیابان پاسداران بهستان هشتم  
پلاک ۱ - برج آبتین، طبقه ۴ - واحد ۹  
شماره تماس: ۰۲۱ ۷۳۶۴۰۰۰  
info@rnaco.com



## General Arrangement



### DXO Cartridge

Contamination capacity:	Up to 4.5kg per DXO
Water absorption, free and bound:	2500ml
Material insert:	PP Cellulose mix



ایران - تهران - خیابان پاسداران بهستان هشتم  
پلاک ۱ - برج آبتین، طبقه ۴ - واحد ۹  
شماره تماس: ۰۲۱ ۷۳۶۴۰۰۰  
info@rnaco.com